

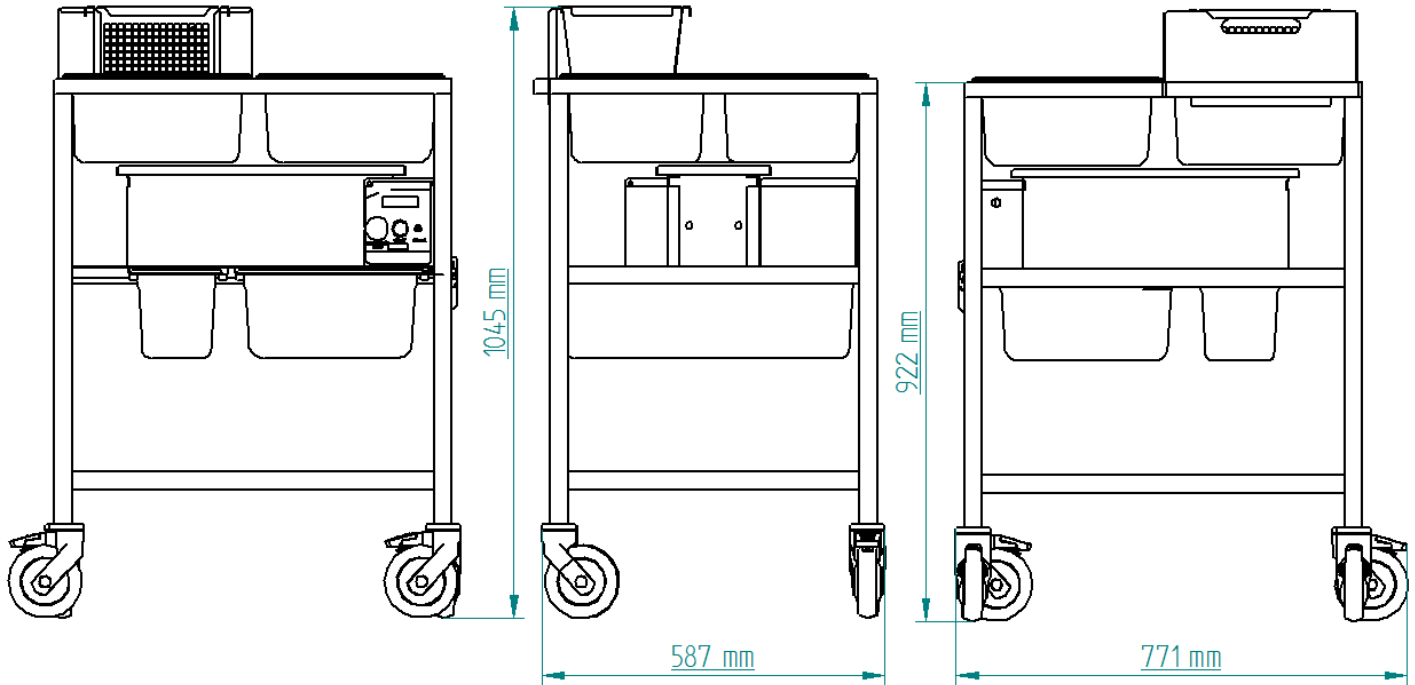
# VIZU® Auto Breader

VI005AB



- Vizu mobile breading station with motorised rotary sieve, for dividing re-usable flour & dough balls for discarding.

**VIZU AUTO BREADER Specification Page**



**Model VI005AB**

<b>Dimensions</b>	<b>Machine</b>
Height	1045mm
Width	710mm
Depth	645mm
<b>Weight</b>	43kg
<b>Electrical</b>	1 phase , 50Hz AC, 230 V, .01kw
Running Amps	
Connection Type	2m BESCHUKO Euro cable with, MFEUROCONVERT Euro to UK converter plug
International Option	N/A

All Vizu Auto Breaders have been tested and checked for proper operation before leaving the factory.

Upon delivery please check the unit for damage. If the unit is damaged, contact the carrier, or Fast Food Systems, immediately and file a damage claim (found in the back of the manual). Please retain all packing materials.

### **Damage must be reported within 7 days of delivery**

### **General Description**

The Vizu mobile breading station is a motorised rotary sieve used for dividing re-usable flour & dough balls.

### **Assembly Instructions**

1. Remove all packaging.
2. Remove any protective plastic covering from panels.
3. Wash all removable items in warm soapy water.
4. Wipe all surfaces with proprietary stainless steel cleaner, or a warm damp cloth.
5. Dry all items thoroughly.

### **Installation**

Position the Auto Breader in desired position, close to a suitable electrical supply, lock wheels in position and connect to supply. The unit is supplied with a 13 amp, 3-pin UK plug, fitted with a 5amp fuse.

**Operating Instructions (VI005AB)**

1. Remove steel plug from large pan.
2. Using the steel plug push the breadding through the hole onto the sieve.
3. Once the sieve compartment is full – or you have added enough breadding for your requirements replace the stainless steel plug.
4. Press the 'red' ON/OFF emergency stop button. The countdown timer will now be illuminated showing the factory pre-set of 15 seconds. If this display is not illuminated check that the machine is plugged in and wall switch is on.
5. Make sure the tray and ½ trays are in position on the slides under the shelf of the machine.
6. Press the 'green' switch and the machine will run. (FIG.1)



Figure 1: Green button to turn on machine.

**DO NOT LIFT PLUG OUT AS BREADING WILL BE FLICKED OUT WHICH IS  
POTENTIALLY DANGEROUS**

7. If the machine needs to be stopped press the 'red' ON / OFF emergency stop button. This will stop the machine. It will be switched off and display will not be illuminated.



8. To resume operation the 'red' button will need to be pulled out to switch the machine back on.
9. Repeat step 6
10. Once the machine has run through its program, the display will re-set to its start time of 15 seconds. If the machine is required again, repeat step 1 – 9 otherwise presses the 'red' button to switch OFF.
11. The sieved breading will now be in the bottom tray – ready for use.

Note: - Due to the double action of the 'Red' push button care must be taken to only push once when stopping the machine, to avoid re-energising of the unit.

## Cleaning (VI005AB)

- Disconnect from power supply.
- Remove the stainless steel pans and wash in warm soapy water, dry thoroughly with a soft dry cloth.



- Remove both pan supports from the Breeder frame
- Lift the lid off the sieve



- Unlatch the drop catch on the side of the motor box and slide the motor box over 2 to 3 inches. This disengages the motor.



- Holding the breading compartment the brush can now be slid back in the direction of the drive side – removing the end of the shaft from the bearing on the breading



compartment.


- The brush can now be lifted out.

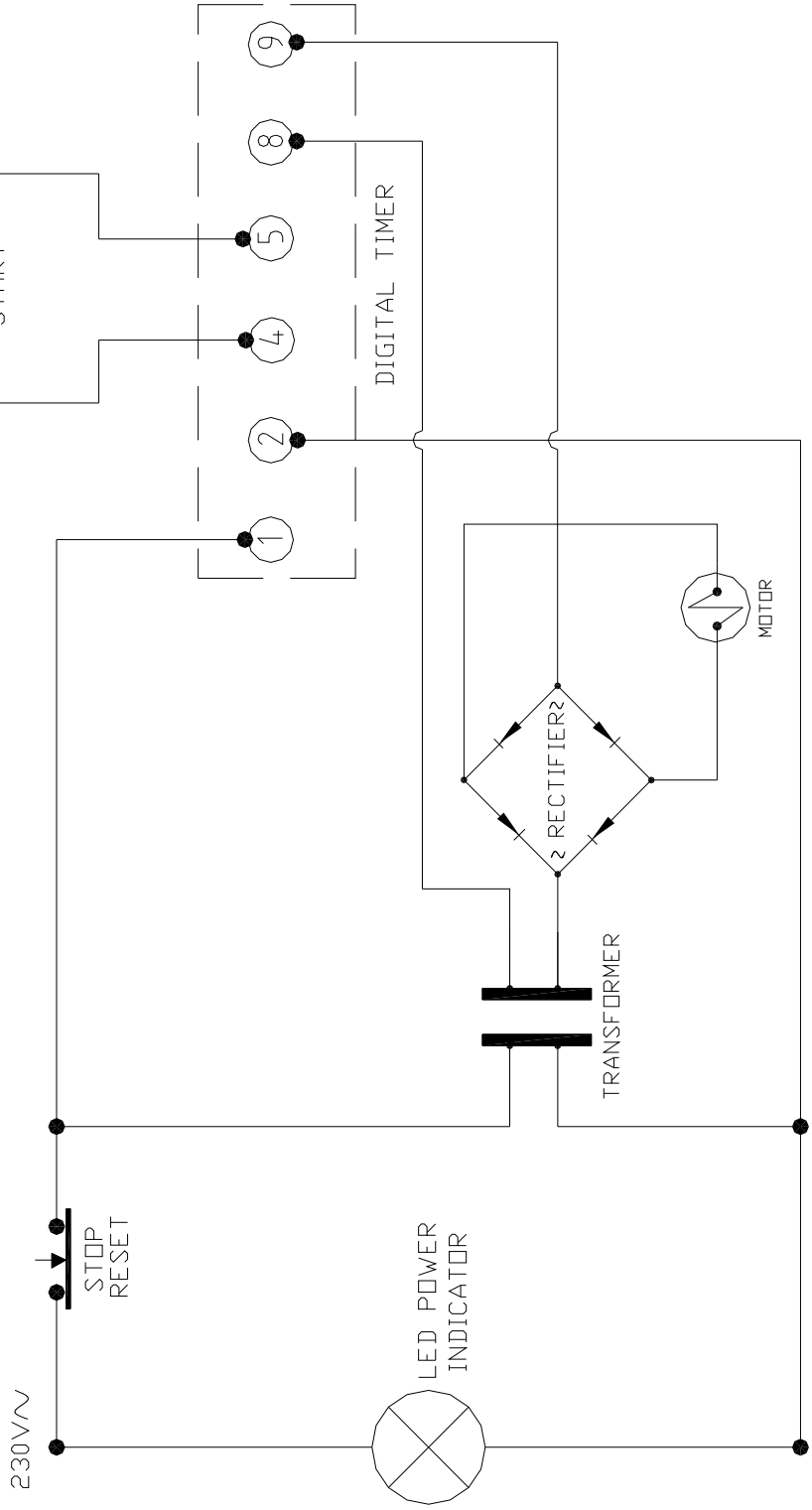


Once all the parts have been removed they must be washed in warm soapy water to remove all traces of flour and breading mix.

The machine should NOT be re-assembled until all the parts have been thoroughly dried. Follow steps 1 – 8 in reverse order.

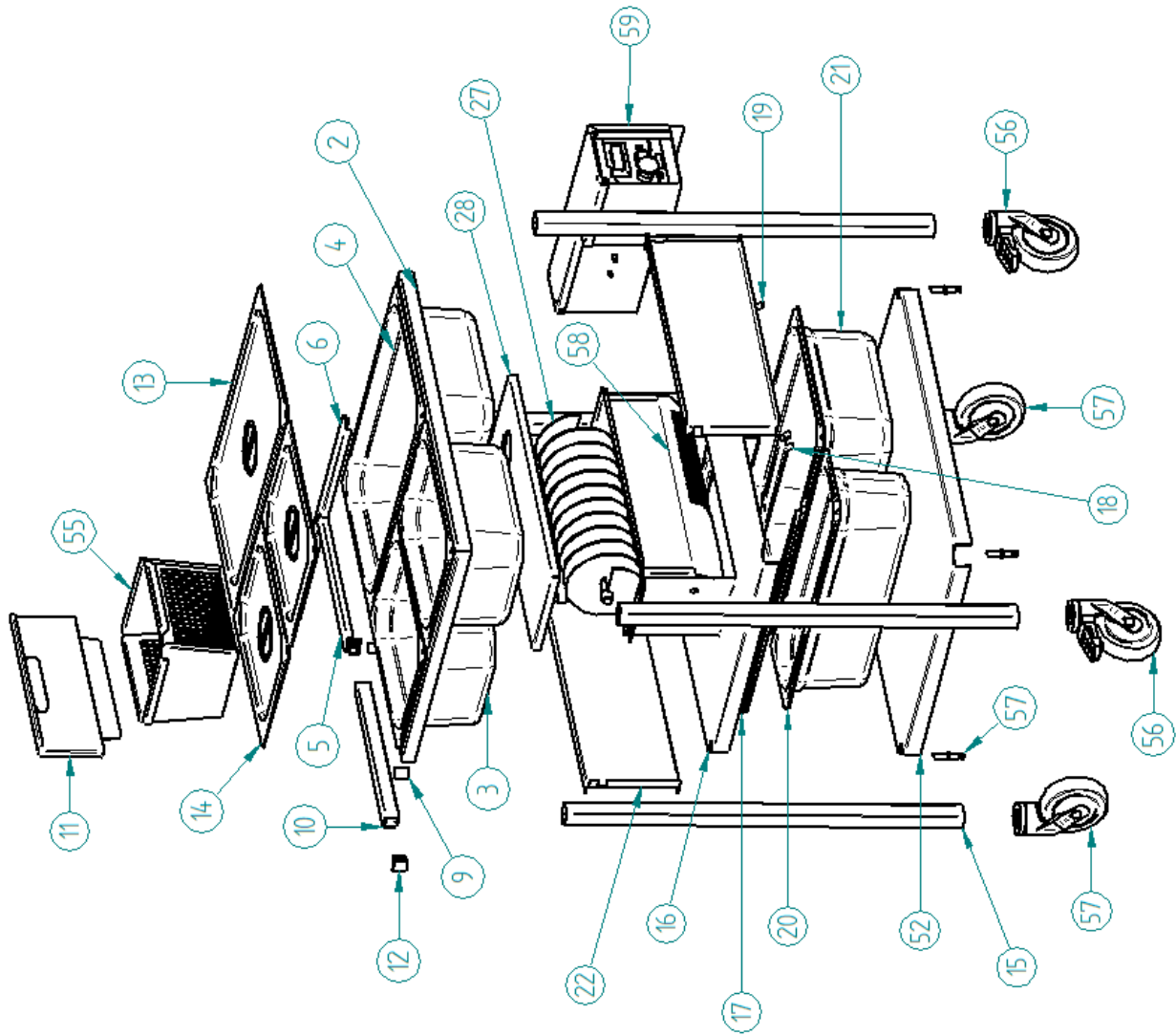
Wiring Diagram

Prototype Name		61 AUTO BREADER	
Drawn	Designed	Date	Prototype No. / Build No.
JMS	RT	14/03/2012	EQVI005AB / 03
			
Property of Fast Food Systems Ltd. May not be reproduced or used in any form without written permission.			
Unit 1, Headley Park 9, Headley Road East Woodley, Reading RG5 4SQ			



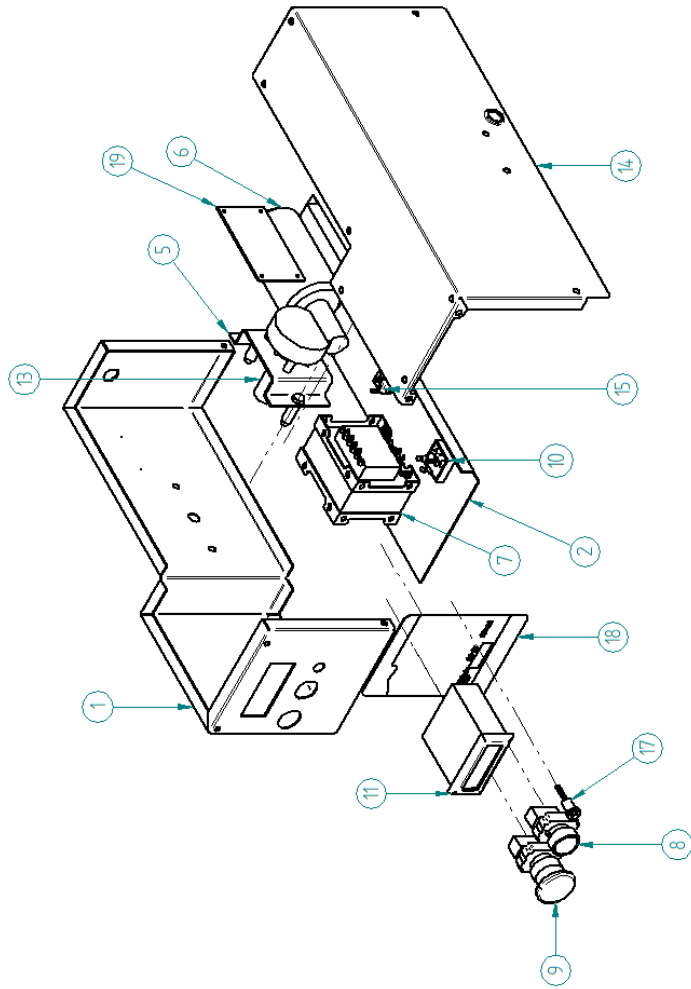


**Exploded Diagram**



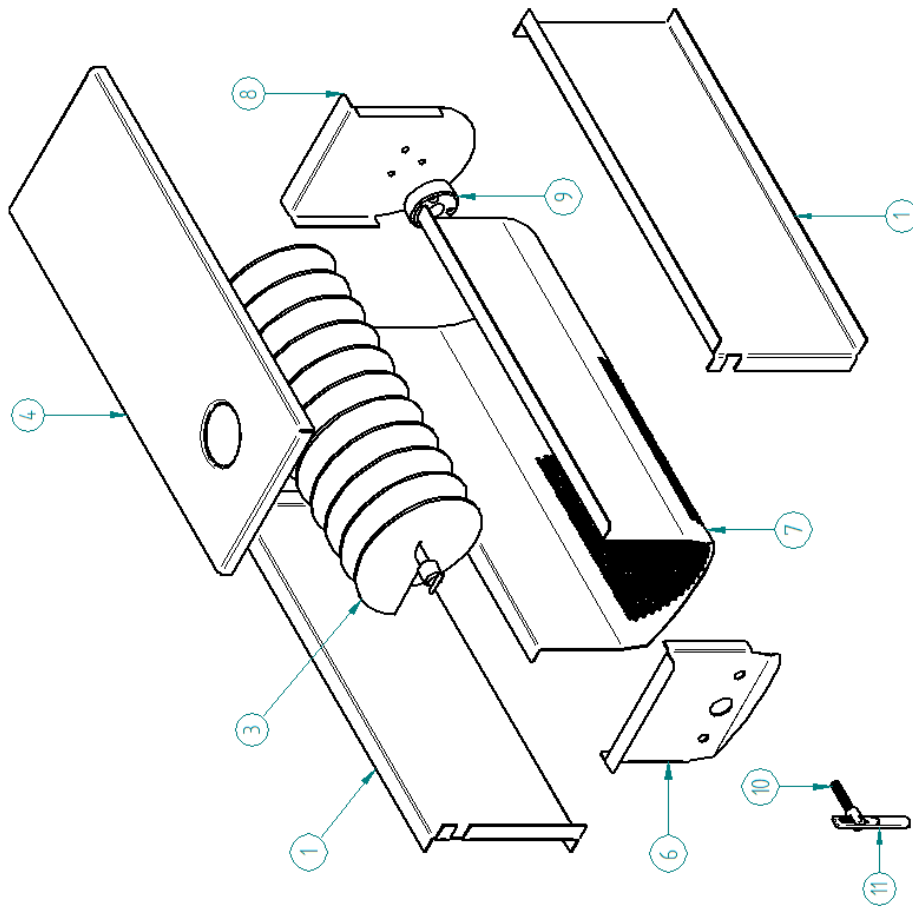
Item Number	File Name / no extension	Quantity
1	61-01 v001	2
2	61-02 v001	2
3	GN 1-2 h50.jpg	2
4	GN 1-1 h50.jpg 061 GASTRONOM PAN WITH HOLE v02 v001	1
5	61-34 PAN SUPPORT v001	1
6	61-03 PAN SUPPORT v001	1
9	61-07 BRACKET 2 PACKER v001	2
10	61-08 BRACKET 2 DAMPING TUBE v001	1
11	61-06 BRACKET 2 v001	1
12	NF112 18 BUNG FOR 25X25 TUBE	2
13	GN 1-1 PAN L0 SOLD	1
14	GN 1-2 PAN L0 SOLD	2
15	61-22 LEG v001	4
16	61-09 SHELF v001	1
17	61-5 PAN RUNNER CHANNEL v001	1
18	61-6 PAN MIDDLE RUNNER CHANNEL v001	1
19	61-5M MIRROR PAN RUNNER CHANNEL v001	1
20	GN2-4 h50.jpg	1
21	GN 1-1 h50.jpg	1
22	61-10 CHIMNEY v001	2
27	BRUSH v001	1
28	61-11 SIEVE COVER v001	1
52	61-30 BOTTOM SHELF v001	1
55	61-04 BASKET ASSEMBLY v001	1
56	5377P JP 05P30_11	2
57	5370P JP 05P30_11	2
58	SIEVE ASSEMBLY v001	1
59	61 MOTOR BOX ASSEMBLY v001	1

**Exploded Diagram**



Item Number	File Name (no extension)	Author	Quantity
1	6-1-17 MOTOR BOX v0.01		1
2	6-1-18 MOTOR BOX L v0.01		1
5	6-1-19 MOTOR BRACKET v0.01		1
6	STEGMAN MOTOR FOR AB 900EG	george m	1
7	MF 804-34-1 18V-50V VOLT TRANSFORMER	stephenc	1
8	318-856 GREEN PUSH SWITCH	george m	1
9	318-856 RED EMERGENCY SWITCH	george m	1
10	MF 318-856 BRIDGE RECTIFIER	george m	1
11	DUMBY DIGI THERMOSTAT ASSEMBLY	george m	1
8	6-1-29 EB MOTOR DRIVE BAR TO SUIT BRUSH v0.01		1
4	6-1-21 MOTOR BOX COVER v0.01		1
5	MF 354Z CERAMIC CONNECTOR BLOCK	george m	1
17	MF374-1029 LED INDICATOR	george m	1
18	MF 0054 LABEL	george m	1
9	MF PLATE SERIAL PLATE	george m	1

**Exploded Diagram**



Item Number	File Name	Quantity
1	6-1-10 CHIMNEY v0.0 fgs.m	2
3	BRUSH v0.0 fgs.m	1
4	6-1-11 SIEVE COVER v0.0 fgs.m	1
6	6-1-12 SIEVE END AT MOTOR END v0.0 fgs.m	1
7	6-1-8 SIEVE MAIN PART v0.0 fgs.m	1
8	6-1-14 SIEVE END v0.0 fgs.m	1
9	6-1-32 NYLONBUSHREAR v0.0 fgs.m	1
10	CATCH PART 2.fgs.m	1
11	CATCH PART 1.fgs.m	1

## Spare Parts Listing

PART NO.	DESCRIPTION	QTY.	IMAGE
MF005ALABEL	Label For Autobreeder 110 x 0.5 x 145mm	1	
MFPLCASTOR	Swivel castor without brakes Ø125 expander wheel	2	
MFPLCASTORB	Swivel castor with brakes Ø125 braked wheel	2	
MFTIMER	90 Min Countdown	1	
BESCHUKO	H05Rr-F 2Mtr. Rubber C032	1	
MFEUROCONVERT	Euro to UK converter plug In black 19-1032	1	
MF20-32	Nylon Bush Rear For Man+Auto Breda	1	
MF61-29	Motor Drive Bar to Suit Brush	1	
MF504-341	Transformer	1	
MF817-8877	Black Nylon 66, strain relief cable bush	1	
MF02-2550/61-28	Auto Breeder Brush Assembly Complete	1	

PART NO.	DESCRIPTION	QTY.	IMAGE
MF354Z	2 Pole 5amp term block TB06	2	
MF193-026	Bridge Rectifier Quad SKB25/02 17A 1600V	1	
MF330-8638	Push Button Zb4-Ba31 Non-Illuminated	1	
MF795-1318	Red mushroom push button	1	
MF374-1029	10mm low profile lens indicator 230VAC	1	
GSGAST90262	1/2GN pan 150mm deep	2	
GSGAST90062	1/1GN 150mm deep	2	
GSGAST90562	2/4GN pan 150mm deep	1	
MF8X38ALLS	Small S/S Anti-Loose Latch M3 X 38 MM	1	Z24 b11
GSGAST93100	1/1GN solid s/s lid	1	
GSGAST94200	1/2 lid slotted cover	2	
MF61-20	Locating Pin	2	

## Fault Finding

Qualified personnel must only carry out any servicing.

Machine must be removed from electrical supply before any servicing.

### **Vizu Auto Breader VI005AB**

<b>Problem</b>	<b>Probable Cause</b>	<b>Solution</b>
1. Count down timer will not illuminate.	<ul style="list-style-type: none"> <li>• Not plugged in</li> <li>• Not switch 'ON' at plug.</li> </ul>	<ul style="list-style-type: none"> <li>• Check machine switch is 'ON'.</li> <li>• Check wall switch is 'ON'</li> <li>• Press Emergency Stop to reset</li> </ul>
2. Breader does not function.	<ul style="list-style-type: none"> <li>• Emergency switch accidentally pressed.</li> <li>• Defective 'ON / OFF' switch.</li> <li>• Fuse in plug faulty</li> <li>• Loose / broken connection.</li> </ul>	<ul style="list-style-type: none"> <li>• Check external current breaker is 'ON/IN' at main supply board.</li> <li>• Check fuse in 3 pin plug</li> <li>• Check all connections</li> <li>• Tighten or replace switch connectors or wiring.</li> <li>• Replace switch</li> <li>• Replace motor</li> </ul>
3. Count down timer illuminated-motor does not work	<ul style="list-style-type: none"> <li>• Start switch disconnected.</li> <li>• Start switch faulty/broken.</li> <li>• Transformer/rectifier broken or disconnected</li> <li>• Motor burnt out</li> </ul>	<ul style="list-style-type: none"> <li>• Check connections on reset switch.</li> <li>• Replace switch.</li> <li>• Check connections on rectifier&amp; transformer</li> <li>• Replace motor</li> </ul>

# Terms and Conditions

## **Claims**

No claim shall be entertained by the Company unless made in writing. Claims arising from damage or partial loss in transit must reach the Company within 7 days from the date of delivery. Claims for non-delivery must reach the Company within 10 days from the date of dispatch. All other claims must reach the Company within 7 days. Damaged goods must be retained for inspection/collection.

## **Returns**

The Company does not operate a returns policy unless the goods are defective:

In circumstances where the Company agrees to accept return of goods, a charge of 25% of the invoice value will be made.

**DAMAGE CLAIM FORM**

**Machine:** VIZU Auto Breader

**Product code:** VI005AB

**Customer name**.....

**Date of delivery**.....

**Machine serial number**.....

**Damage comments**.....

.....

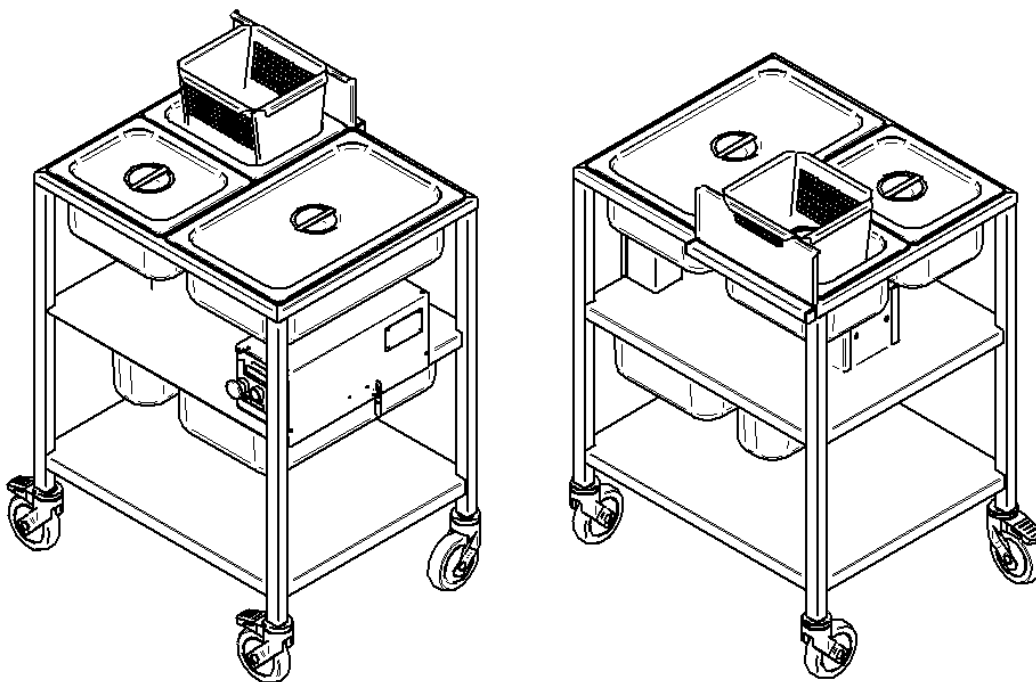
.....

.....

.....

.....

.....



Please indicate on the picture where the unit is damaged

**Courier name**.....

Please cut this page out and post to *Fast Food Systems*

(The address is on the back of this manual)



# Warranty

## UNITED KINGDOM AND REPUBLIC OF IRELAND

Excepting where otherwise specified all products are subject to 12 months parts and labour warranty. Goods found defective will be repaired, credited or replaced without charge according to the terms of the Company's standard warranty, provided written notice is given within the guarantee period. In no case will the company be liable for repairs made without its knowledge or sanction, or for indirect damage, or any consequential loss or expense incurred by purchasers.

Fast Food Systems Ltd, warrants to the original purchaser that the equipment supplied to be free from defective materials or workmanship for a period of 12 (twelve) months.

The following are NOT covered by warranty:

1. Failure or breakdown caused by incorrect installation.
2. Glass parts, electric lamps or door seals.
3. Adjustment or calibration of controls - this is a routine maintenance function.
4. Abuse or misuse, including cleaning.
5. Warranty labour is only carried out during normal working hours; calls attended to out of hours may be subject to surcharges.
6. The warranty will commence either on installation or 1 (one) month from date of dispatch - whichever is the sooner.
7. Warranty on spare parts purchased for equipment outside of the warranty period is 3 (three) months from date of sale.
8. Any faulty spare parts replaced under warranty must be returned with 7 days of supply.
9. Warranty is non-transferable.

*Fast-Food-Systems Ltd* will not be held responsible, financially or otherwise, for any loss of business as a result of equipment breakdown.



Note...

Note...

Model Number.....


Order ID/Job No.....

Machine serial number.....

Date of Manufacture ...../...../.....

Date of delivery...../...../.....

Date of commissioning...../...../.....

	<p><b>ENGLISH</b></p> <p>Electrical equipment marked with this symbol may not be disposed of in European public disposal systems after 12 August 2005. In conformity with European local and national regulations (EU Directive 2002/96/EC), European electrical equipment users must now return old or end-of-life equipment to the manufacturer for disposal at no charge to the user.</p> <p><i>Note: For return for recycling, please contact the equipment manufacturer or supplier for instructions on how to return end-of-life equipment for proper disposal.</i></p>
---	---

Fast Food Systems Limited

Manufacturer & Distributor of Catering Equipment

Unit 1 Headley Park 9 Headley Road East

Woodley Reading Berkshire RG5 4SQ

Tel: 0118 944 1100 Fax: 0118 944 0350

Email: [service@fast-food-systems.co.uk](mailto:service@fast-food-systems.co.uk)

Website: [www.fast-food-systems.com](http://www.fast-food-systems.com)

ISSUE 11 – 30.06.17