

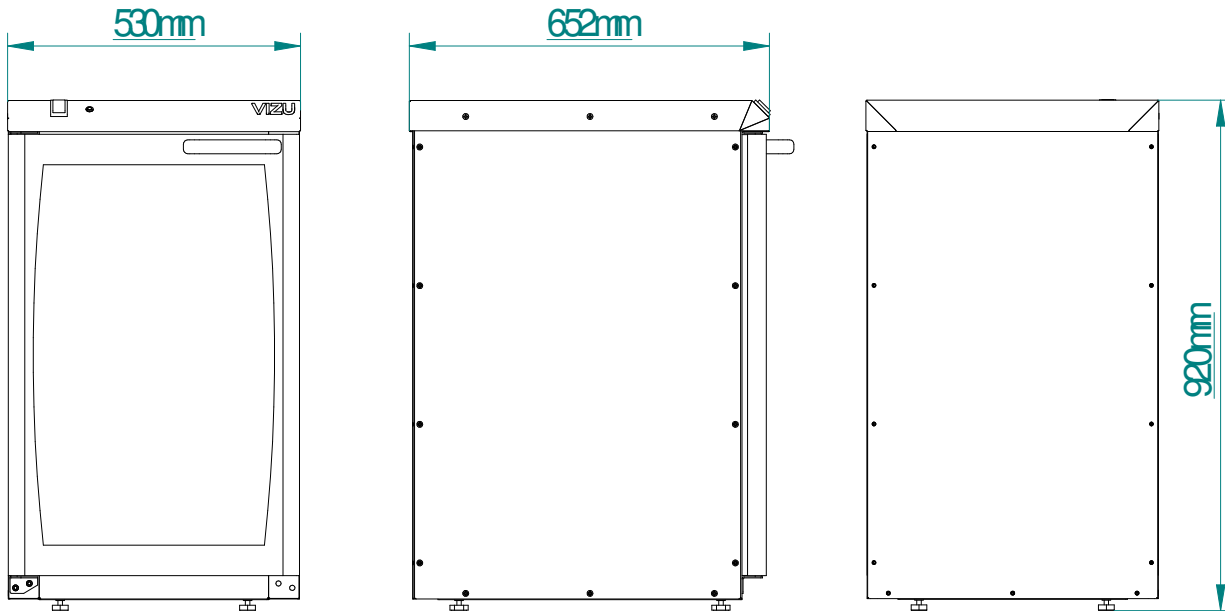
# VIZU<sup>®</sup> NACHO WARMER

VI014HHCG



- Perfect for holding prepared nachos and dipping sauce
- Reconfigurable shelves to suit packaging and product sizes
- Suited for under counter positioning with height adjustable feet
- Full stainless steel construction

**VIZU® Nacho Warmer Specification Page**



**Model: VI014HHCG**

<b>Dimensions</b>	<b>Machine</b>
Height	920mm
Width	530mm
Depth	652mm
<b>Weight</b>	45kg
<b>Electrical</b>	1 phase, 50HZ AC, 0.6Kw, 230v
Running Amps	2.6 Amps
Connection Type	BSCHUKO 2/3 PIN PLUG
International Option	N/A

All **Vizu® Nacho Warmers** have been tested and checked for proper operation before leaving the Fast Food Systems manufacturing facility.

Upon delivery please check the unit for damage. If the unit is damaged, contact the carrier, or Fast Food Systems, immediately and file a damage claim (found in the back of the manual) Please retain all packing materials.

## **Damage must be reported within 7 days of delivery**

### **General Description**

The unit has been designed for the short term holding of pre-prepared Nacho product, at a controlled temperature.

### **Assembly Instructions**

1. Remove all packaging material from the Nacho Warmer unit.
2. Peel off all protective plastic covering from metal.
3. Wash all removable parts in warm, soapy water and dry them thoroughly.

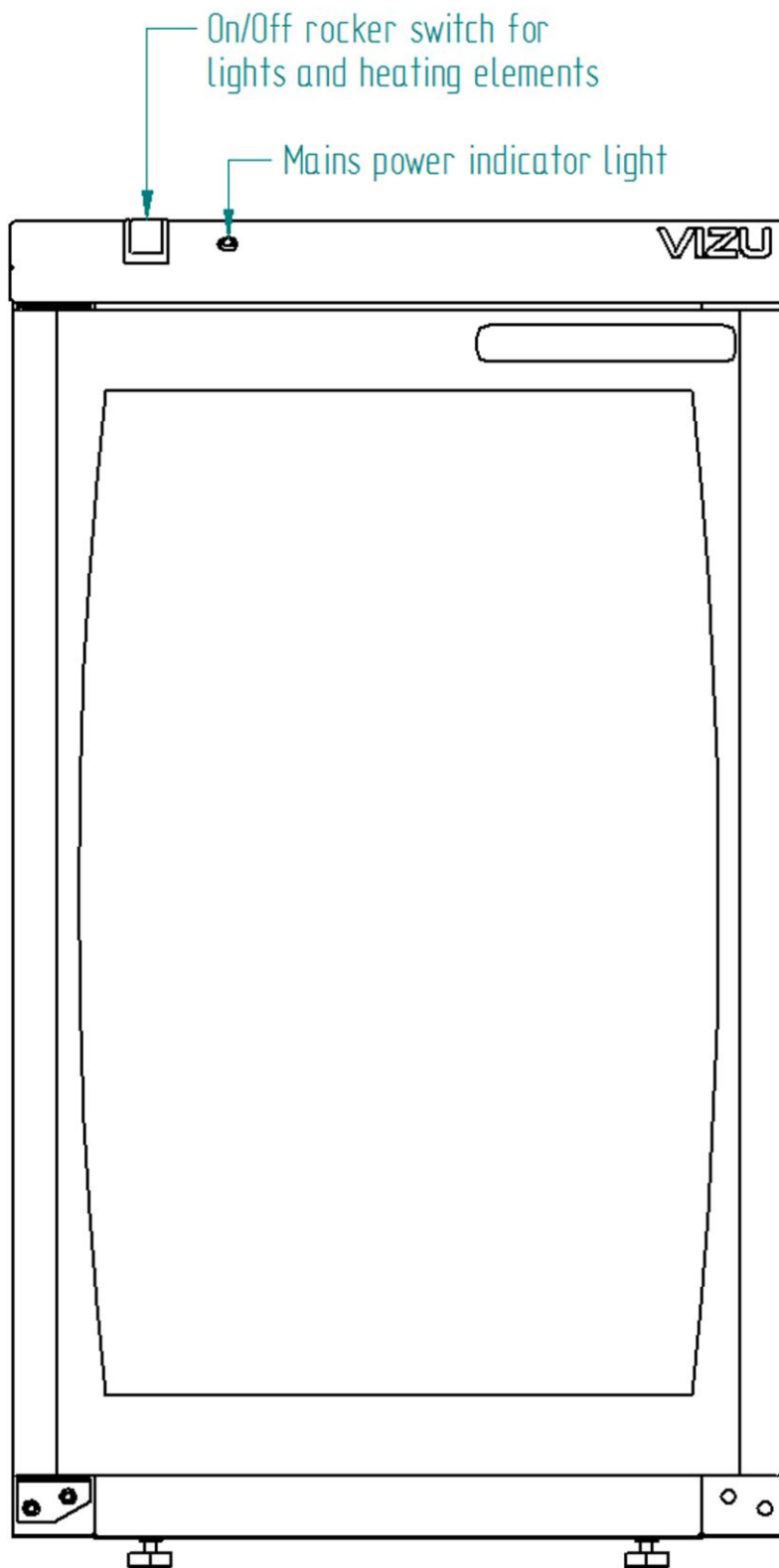
### **Installation**

Check that the power rocker switch located on the front control panel is set to the OFF (O) position.

Position the Vizu Nacho Warmer unit in the desired position and ensure all four corners of the unit are making contact with surface and the unit is stable and secure. Adjust feet where required.

Connect the unit to mains power supply.

## Control Instructions



## **Operation Instructions**

1. Plug into suitable mains power socket and switch 'ON' at wall socket.
2. Red LED power indicator indicates machine is connected to the power supply. When the light is illuminated, this means that the unit is connected to the mains power supply.
3. Green rocker switch allows power to pass to heating elements and internal light units. Position the green rocker switch to " I " to power up lights and heating elements.

## **Temperature Control**

The internal thermostat has been pre-set during manufacturing according to the customers requirements. The thermostats operating range is 30°C - 90°C.

### **To vary factory set temperatures:**

1. Set front green rocker switch to the "O" off position. Ensure that the Mains power indicator is also off. Remove power plug from mains power supply.
2. Remove side panel (when facing front of unit, this is the panel on the left). Once removed an access aperture through which the thermostat dial will be visible, can be accessed.
3. Adjust the dial to the required setting and replace side panel. Follow installation instructions to resume operation at new temperature setting.

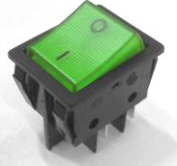


## **Cleaning instructions**

1. SWITCH 'OFF' and remove mains electrical cord from wall supply. Allow unit to cool.
2. Remove shelves. Wash shelves in hot soapy water, rinse and dry thoroughly.
3. Wipe all external surfaces with proprietary stainless steel cleaner or warm damp cloth – dry thoroughly.
4. Allow all internal surfaces and unit components to dry thoroughly. Replace shelves.

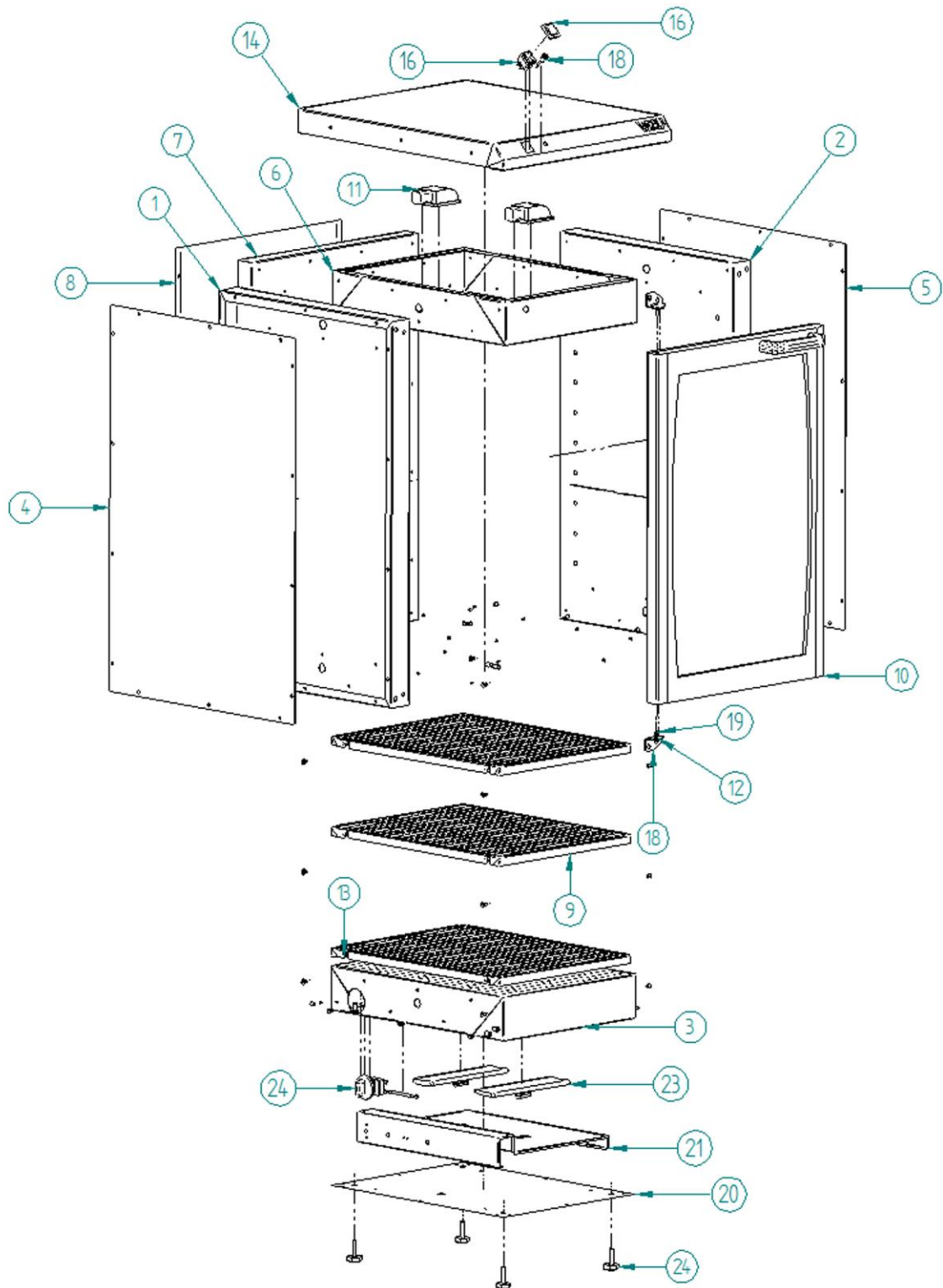
**DO NOT USE ANY ABRASIVE MATERIALS, SCOURING PADS AND DO NOT USE BLEACH.**

## Spare Parts Listing

PART NO.	DESCRIPTION	QTY.	IMAGE
MF374-1029	100mm low profile lens indicator 230VAC	1	
MFMODT3090	Capillary Thermostat 30-90C	1	
MF374-1029	100mm low profile lens indicator 230VAC	1	
MFRTH34AFM	Adjusted (feet) Rth34Afm0839 49537	4	
BESCHUKO	H05Rr-F 2Mtr. Rubber C032	1	
GAX-FRONTG54	Flex Hinged Antracite Door Complete	1	
GAX-FRONTLG54	Flex Lh Hinged Anthracite Door Complete	1	
MFEUROCONVERT	Euro to UK converterplug In black 19-1032	1	
MFCOMMON1	Label 5 140mm x 53mm	1	
MF605-649	Grommet	2	
MFLA100	Oven Lamp Assembly 25W	2	
MF354Z	2 Pole 5amp term block TB06	4	

PART NO.	DESCRIPTION	QTY.	IMAGE
VISW15	Green neon rocker Vizu Burger/Passthru	1	
VILE14	Switch cover / bezel HD2/HD4 MFF1025 / MF1026	1	
MF817-8877	Black Nylon 66, strain relief cable bush	1	

**Exploded Diagram**

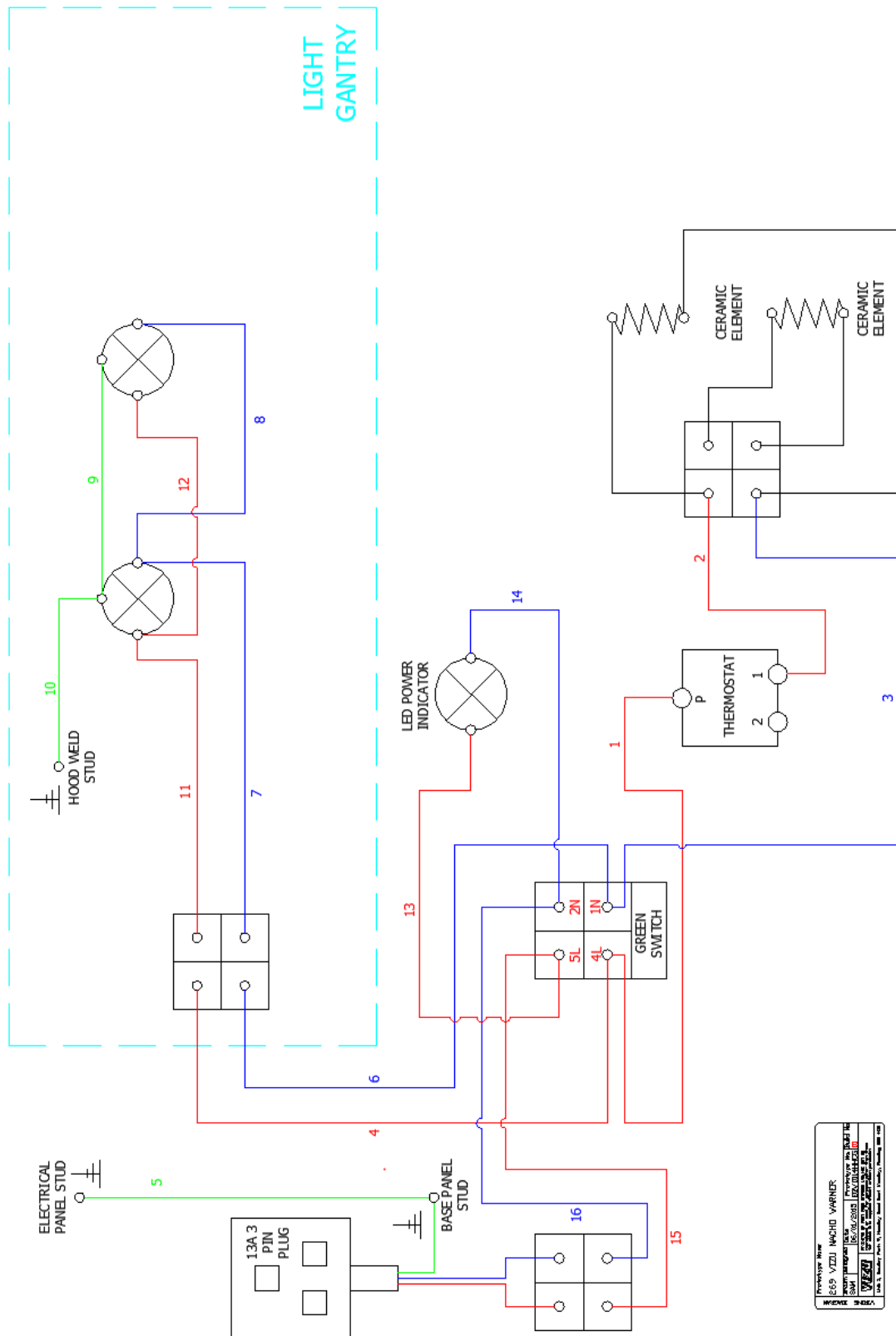




**Exploded Diagram Parts List**

Item Number	File Name (no extension)	Quantity
1	269-01 INNER SIDE PANEL	1
2	269-01 INNER SIDE PANEL MIRROR	1
3	269-02 INNER BASE	1
4	269-03 OUTER SIDE PANEL	1
5	269-03 OUTER SIDE PANEL MIRROR	1
6	269-06 TOP INNER	1
7	269-11 INNER FEET PANEL	1
8	269-12 OUTER FEET PANEL	1
9	269-13 SHELF	3
10	ANTI-BACTERIAL 2FG54 GAMMO DOOR- ASSEMBLY_nir	1
11	MFLA57 OVEN LAMP 25W ASSEMBLY	2
12	WHTENLON WASHER (M6)	2
13	40-66 PLATE HANGING BAR	12
14	269-04 TOP	1
15	VSM5 SWITCH (GREEN)	1
16	MFLA54 COVER FOR MFLA55	1
17	M374 1029 LED	1
18	269-09 DOOR HINGE EFFECT MIRROR	1
19	269-10 DOOR FINISH	1
20	269-07 BASE PANEL	1
21	269-08 BASE ELECTRICAL HOUSING	1
22	GERM ELEMENT	2
23	MOD3090	1
24	MFRH-B4AFM ADJUSTABLE FEET	4

## Wiring Diagram



Part No: 13A 3 PIN PLUG  
 Part No: 15L  
 Part No: 15N  
 Part No: 16L  
 Part No: 16N  
 Part No: 13A 3 PIN PLUG  
 Part No: 15L  
 Part No: 15N  
 Part No: 16L  
 Part No: 16N

## Fault Finding

Any servicing must only be carried out by qualified professional. Machine must be removed from electrical supply before any servicing.

Any unauthorised servicing and/or repair of this machine may invalidate the warranty.

<b>PROBLEM</b>	<b>POSSIBLE CAUSE</b>	<b>SOLUTION</b>
1. Red LED Power indicator is not illuminated.	<ul style="list-style-type: none"> <li>⇒ Wall socket switched OFF.</li> <li>⇒ Fuse in plug faulty.</li> <li>⇒ Power supply failed.</li> </ul>	<ul style="list-style-type: none"> <li>• Switch ON.</li> <li>• Replace fuse.</li> <li>• Check power supply</li> </ul>
2. Green rocker switch is not illuminated.	<ul style="list-style-type: none"> <li>⇒ Green rocker is in OFF (O) position.</li> <li>⇒ Green rocker switch faulty.</li> </ul>	<ul style="list-style-type: none"> <li>• Switch ON.</li> <li>• Replace switch.</li> </ul>
3. Machine does not heat up	<ul style="list-style-type: none"> <li>⇒ No supply to thermostat</li> <li>⇒ Thermostat faulty</li> <li>⇒ Loose/broken wiring or connection heat element faulty.</li> <li>⇒ Machine has overheated</li> </ul>	<ul style="list-style-type: none"> <li>• See section 1 and 2.</li> <li>• Replace thermostat</li> <li>• Identify fault and correct</li> <li>• Find and correct</li> <li>• Replace element</li> <li>• Allow to cool down</li> </ul>
4. Light are not illuminated when unit is on.	<ul style="list-style-type: none"> <li>⇒ Faulty bulbs</li> <li>⇒ Connection fault</li> </ul>	<ul style="list-style-type: none"> <li>• Test and replace bulbs is required</li> <li>• Check connections</li> </ul>

# Terms and Conditions

## Claims

No claim shall be entertained by the Company unless made in writing. Claims arising from damage or partial loss in transit must reach the Company within 7 days from the date of delivery. Claims for non-delivery must reach the Company within 10 days from the date of dispatch. All other claims must reach the Company within 7 days. Damaged goods must be retained for inspection/collection.

## Returns

The Company does not operate a returns policy unless the goods are defective:

In circumstances where the Company agrees to accept return of goods, a charge of 25% of the invoice value will be made.

**Damage claim form**

Machine: **VIZU® NACHO WARMER**  
Product code: **VI014HHCG**

Customer name.....

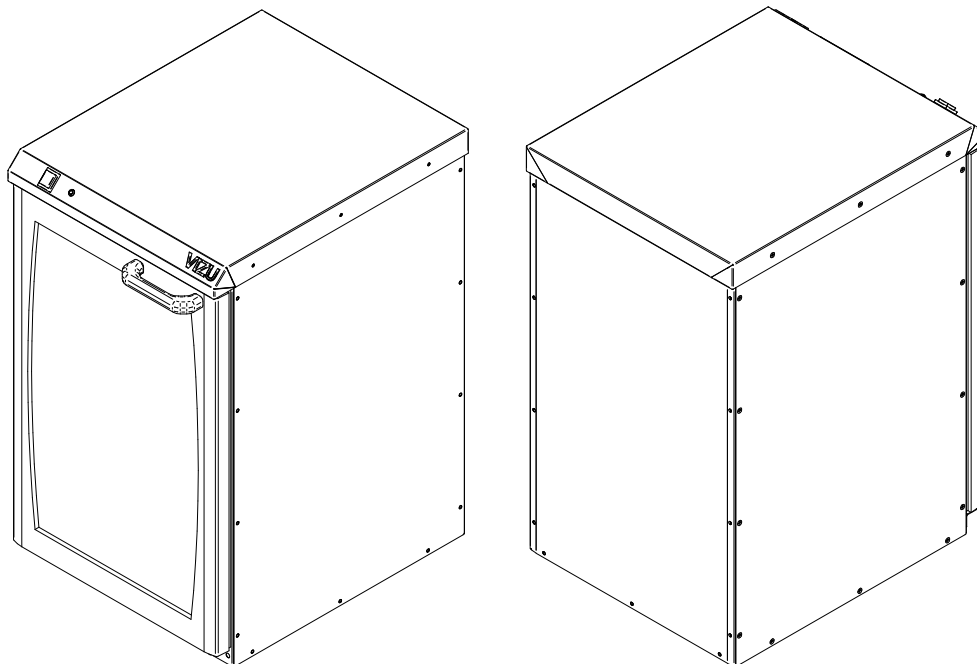
Date of delivery.....

Machine serial number.....

Damage comments.....

.....  
.....  
.....  
.....

Please indicate on the pictures where the unit is damaged



Courier name.....



Please cut this page out and post to **Fast Food Systems**  
(The address is on the back of this manual)

# Warranty

## UNITED KINGDOM AND REPUBLIC OF IRELAND

Excepting where otherwise specified all products are subject to 12 months parts and labour warranty. Goods found defective will be repaired, credited or replaced without charge according to the terms of the Company's standard warranty, provided written notice is given within the guarantee period. In no case will the company be liable for repairs made without it's knowledge or sanction, or for indirect damage, or any consequential loss or expense incurred by purchasers.

Fast Food Systems Ltd, warrants to the original purchaser that the equipment supplied to be free from defective materials or workmanship for a period of 12 (twelve) months.

The following are NOT covered by warranty:

1. Failure or breakdown caused by incorrect installation.
2. Adjustment or calibration of controls - this is a routine maintenance function.
3. Abuse or misuse, including cleaning.
4. Warranty labour is only carried out during normal working hours, calls out of hours may be subject to surcharges.
5. The warranty will commence either on installation or 1 (one) month from date of dispatch - whichever is the sooner.
7. Warranty on spare parts purchased for equipment outside of the warranty period is 3 (three) months from date of sale.
8. Any faulty spare parts replaced under warranty must be returned with 7 days of supply.
9. Warranty is non-transferable.

**Fast-Food-Systems Ltd** will not be held responsible, financially or otherwise, for any loss of business as a result of equipment breakdown.

**NOTES:**

Model Number: VI014HHCG


Order ID/Job No.....

Machine serial number.....

Date of Manufacture ...../...../.....

Date of delivery...../...../.....

Date of commissioning...../...../.....

	<p><b>ENGLISH</b></p> <p>Electrical equipment marked with this symbol may not be disposed of in European public disposal systems after 12 August 2005. In conformity with European local and national regulations (EU Directive 2002/96/EC), European electrical equipment users must now return old or end-of-life equipment to the manufacturer for disposal at no charge to the user.</p> <p><b>Note:</b> For return for recycling, please contact the equipment manufacturer or supplier for instructions on how to return end-of-life equipment for proper disposal.</p>
---	---

**Fast Food Systems Limited**  
 Manufacturer & Distributor of Catering Equipment

Unit 1 Headley Park 9 Headley Road East  
 Woodley Reading Berkshire RG5 4SQ  
 Tel: 0118 944 1100 Fax: 0118 944 0350  
 Email: [service@fast-food-systems.co.uk](mailto:service@fast-food-systems.co.uk)  
 Website: [www.fast-food-systems.com](http://www.fast-food-systems.com)

ISSUE 2: 26<sup>th</sup> January 2017